


















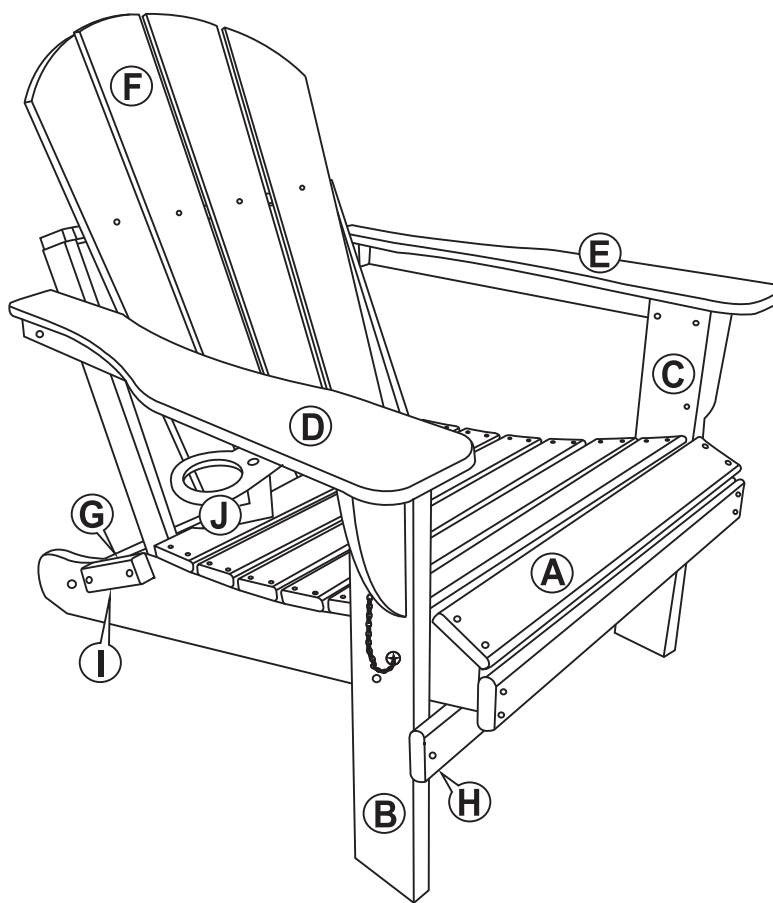


# Polyresin Adirondack Chair

<b>A</b>		<b>1pc</b>
<b>B</b>		<b>1pc</b>
<b>C</b>		<b>1pc</b>
<b>D</b>		<b>1pc</b>
<b>E</b>		<b>1pc</b>
<b>F</b>		<b>1pc</b>
<b>G</b>		<b>1pc</b>
<b>H</b>		<b>1pc</b>
<b>I</b>		<b>2pcs</b>
<b>J</b>		<b>1pc</b>

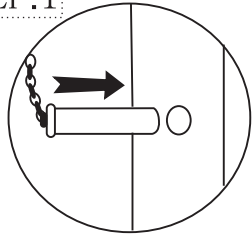
<b>1</b>	 M6x80mm	<b>2pcs</b>
<b>2</b>	 M6x60mm	<b>4pcs</b>
<b>3</b>	 M6x50mm	<b>2pcs</b>
<b>4</b>	 M6.3x50mm	<b>4pcs</b>
<b>5</b>	 M6.3x30mm	<b>3pcs</b>
<b>6</b>	 M6	<b>8pcs</b>
<b>7</b>		<b>8pcs</b>
<b>8</b>		<b>1pc</b>
<b>9</b>		<b>1pc</b>

## Display Set-up

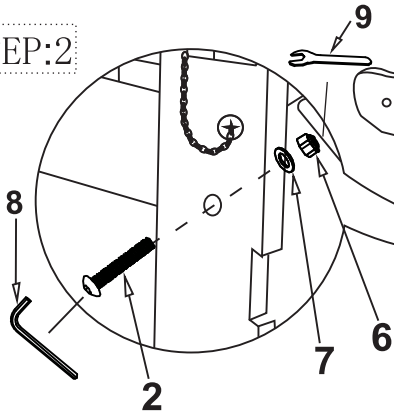


# STEP: 1

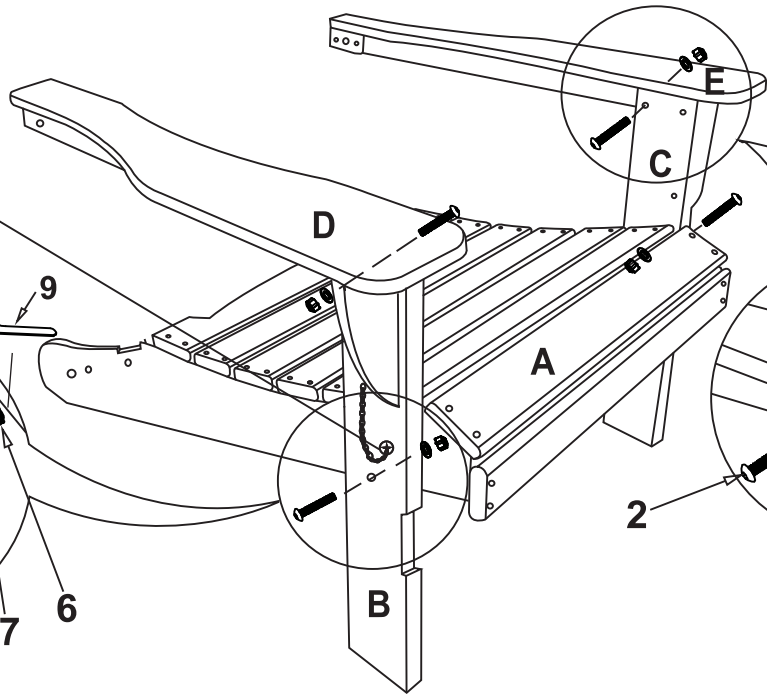
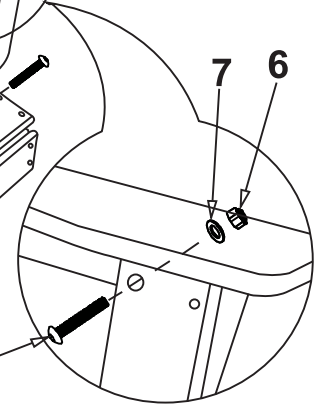
STEP:1



STEP:2

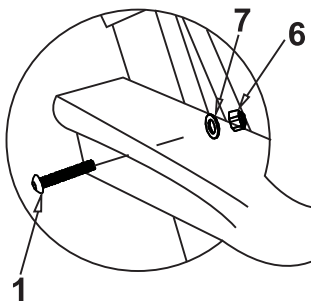


STEP:3

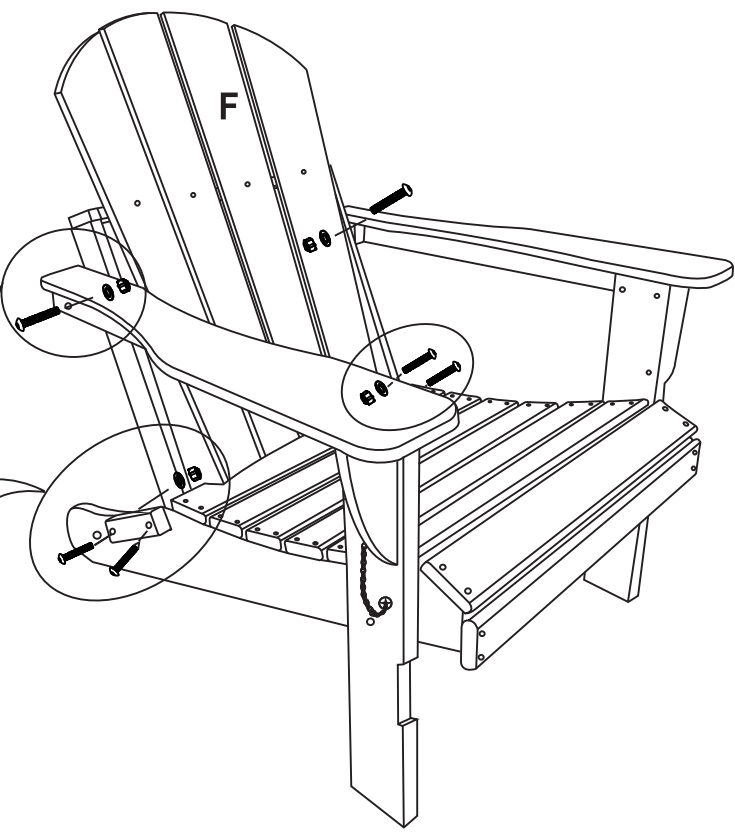
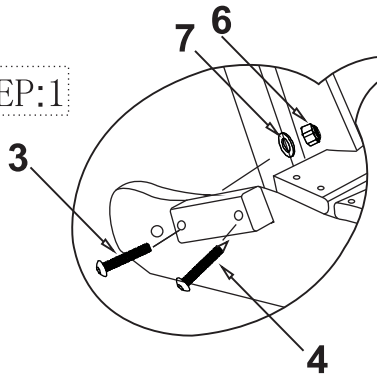


# STEP: 2

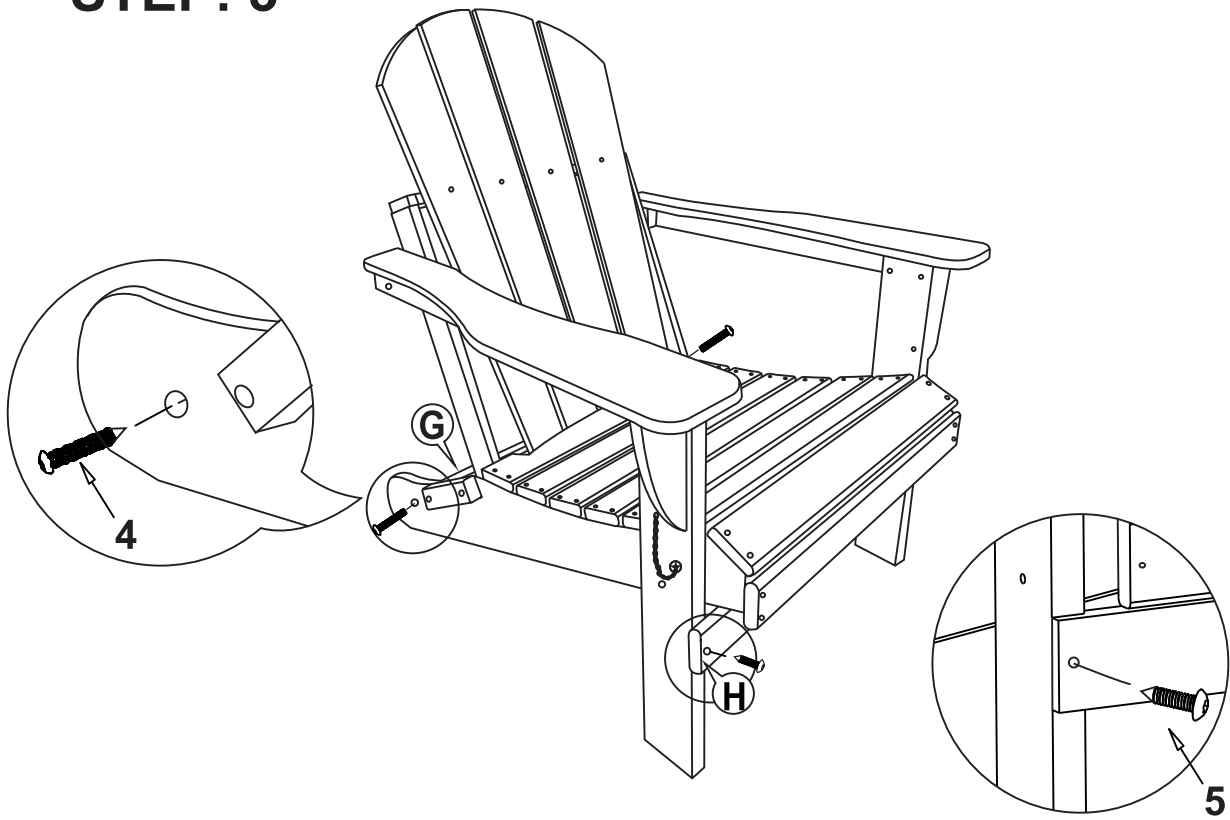
STEP:2



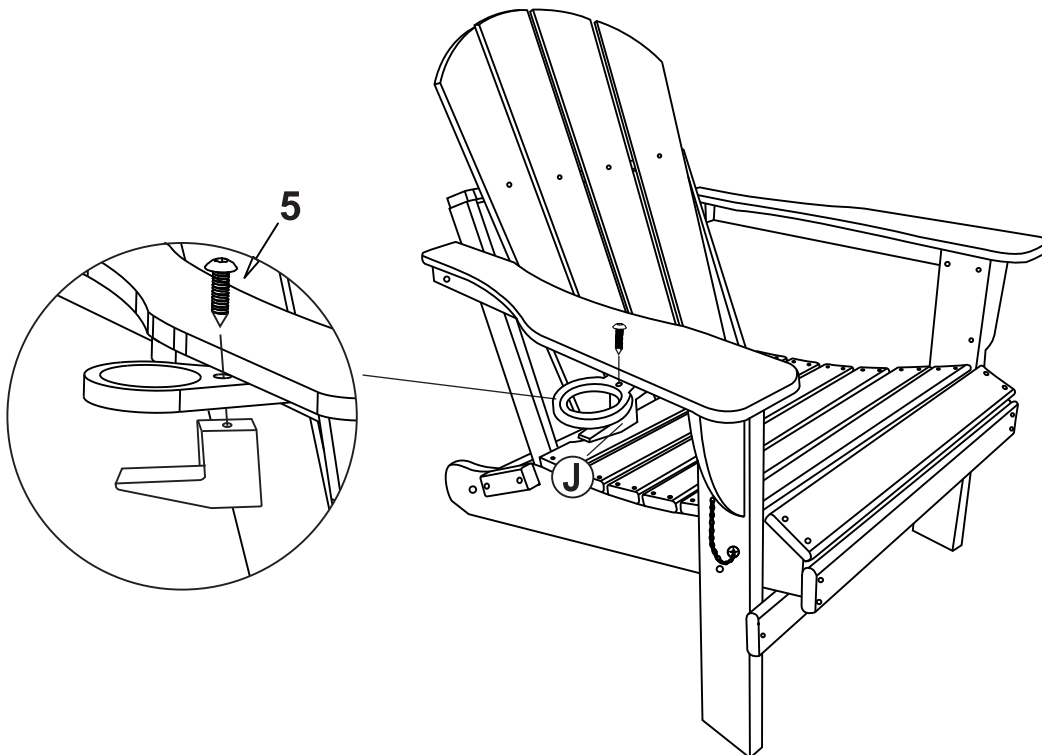
STEP:1



# STEP: 3



# STEP: 4



**STEP: 5**

